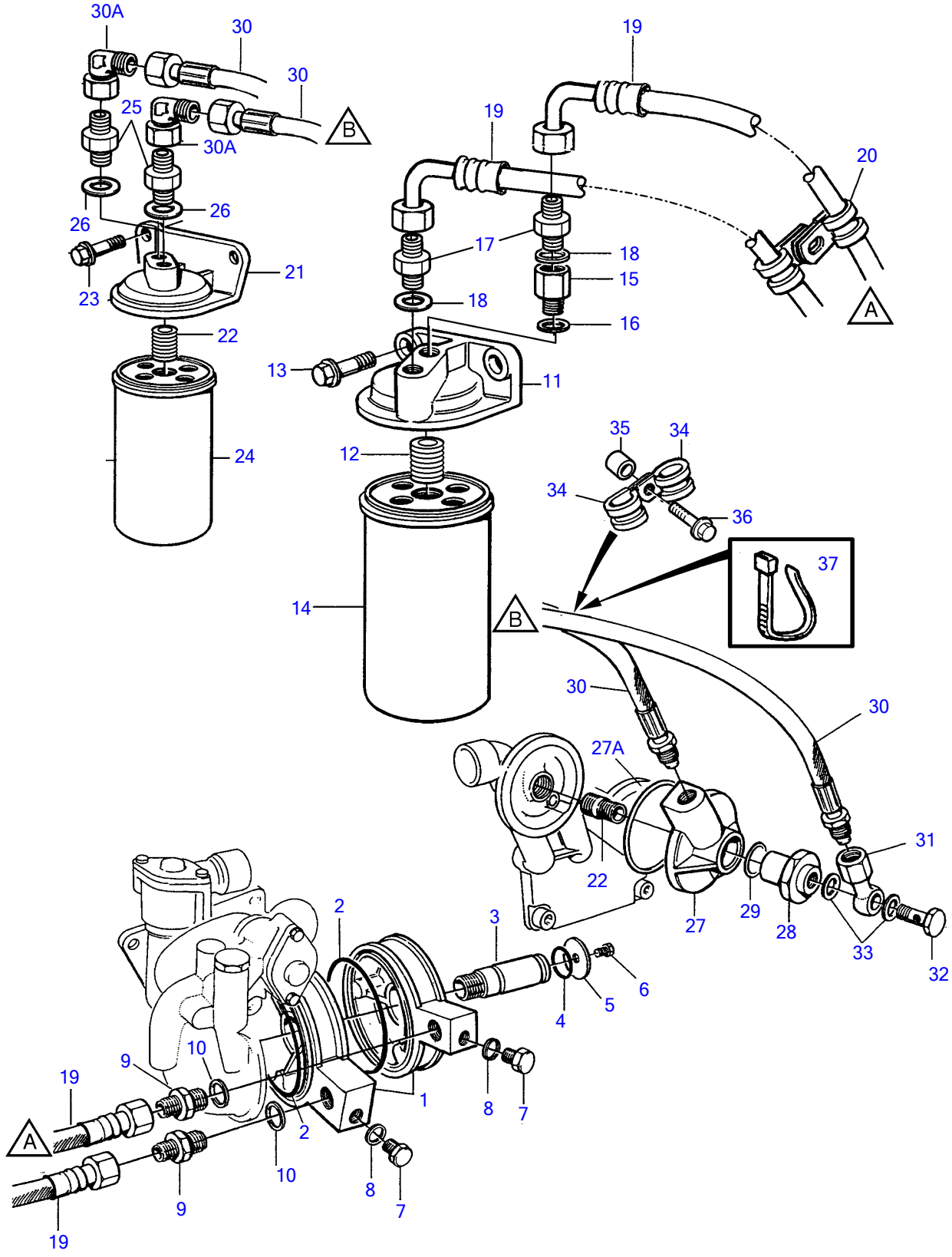


TAMD73P-A, TAMD73WJ-A



17360

TAMD73P-A, TAMD73WJ-A

REF	PART NO.	QTY	DESCRIPTION	NOTES
1	848502	2	Cardboard tube	
2	949647	2	O-ring	
3	848504	1	Pipe	
4	949658	2	O-ring	
5	862692	1	Washer	
6	970945	1	Hexagon screw	L=20mm
	970947	1	Hexagon screw	L=25mm
7	960632	2	Plug	
8	948884	2	Gasket	
9	947554	2	Nipple	
10	948885	2	Gasket	
11	848509	1	Housing	
12	466623	1	Nipple	
13	946329	2	Flange screw	
14	847741	1	Oil filter	
15	863345	1	Nipple	
16	948885	1	Gasket	
17	947554	2	Nipple	
18	948885	2	Gasket	
19	3826775	2	Oil hose	
20	947827	2	Clamp	
21	848511	1	Housing	
22	829160	2	Nipple	
23	965181	2	Flange screw	
24	3827069	1	Oil filter, incl gasket	
25	963948	2	Nipple	
26	948883	2	Gasket	
27	3826429	1	Cardboard tube	
27A	976044	1	O-ring	
28	3826430	1	Nipple	
29	944126	1	O-ring	
30	20714372	2	Pressure hose	(3830001)
30A	964016	2	Elbow nipple	
31	3826905	1	Banjo nipple	
32	25167	1	Hollow screw	
33	969011	2	Gasket	
34	945081	2	Clamp	
35	807425	1	Spacer sleeve	
36	947760	1	Flange screw	
37	948211	1	Cable tie	